

SONY.

**Car Stereo
Service Bulletin**

Sony Service Company - Technical Services
A Division of Sony Corporation of America
Sony Drive, Park Ridge, New Jersey 07656

Model: XR-7180

No. 148R1

Subject: Preventing Damage To Output Devices During And
Subsequent To Servicing

Date: May 29, 1992

This bulletin supersedes Car Stereo Service Bulletin No.148.

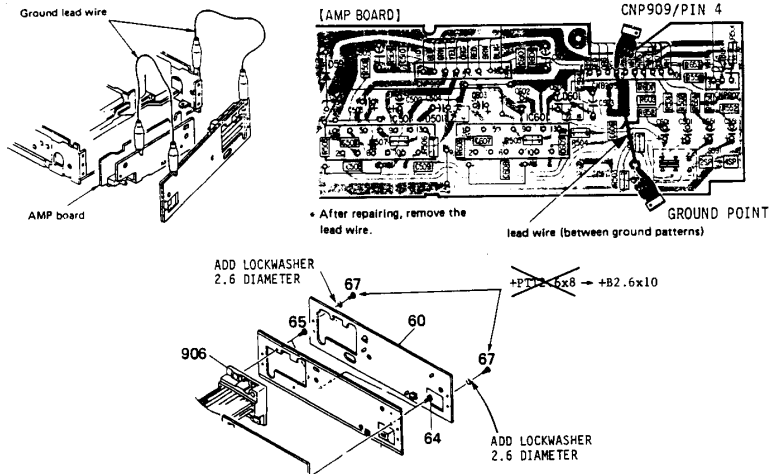
Symptom:
(**)

When the unit is being serviced, one or both output devices may be damaged if the following grounding procedure is not followed. The output devices may also fail at some time subsequent to servicing if the screws which secure the rear cover to the chassis become loose.

Solution:

Prior to applying power to the unit, add a lead wire to the amp board and connect jumper leads between the rear cover, amp board, and chassis as shown below. When reassembling the unit, secure the rear cover to the chassis with new hardware as shown below:

REF. NO.	FORMER		NEW	
	DESCRIPTION	PART NUMBER	DESCRIPTION	PART NUMBER
67	SCREW +PTT 2.6X8	7-685-793-01	SCREW +B 2.6 X 10.0	7-621-773-67
---	---	---	SPRING, WASHER 2.6 DIA	7-623-207-22



Reference: FPR N0145

PRINTED IN U.S.A.
CSA-14592-1

CSA-14 Tuner/Tape Deck